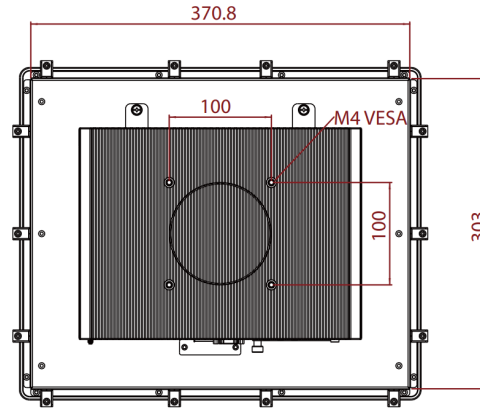
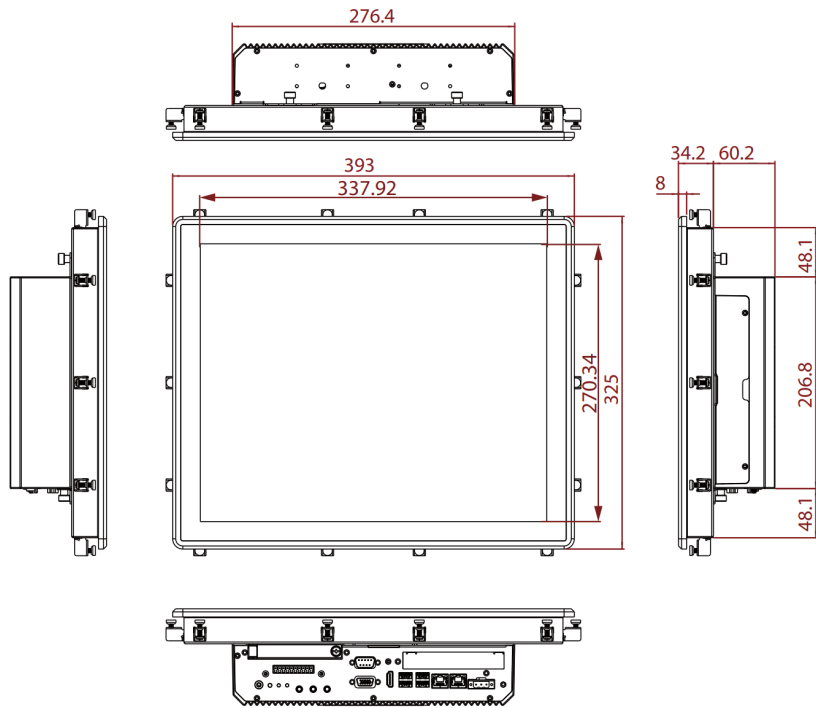
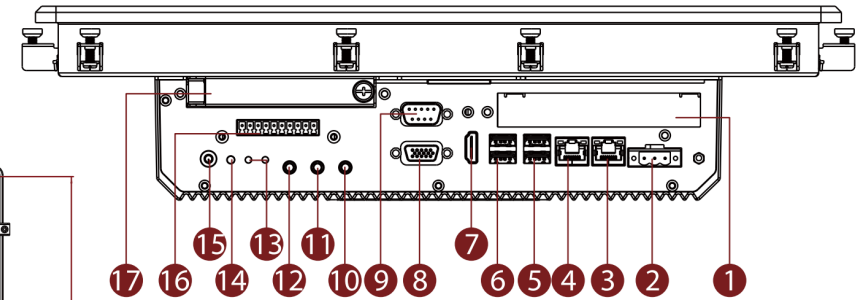
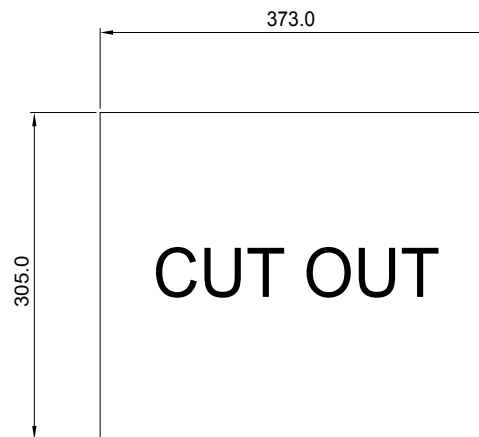


M-Series HMI  
R17IKWS-MHM1  
43,2 cm (17") 4:3



CUT OUT:373(W)x305(D) mm



- |  |                                 |
|--|---------------------------------|
| 1 PCIe Slot cover for PCIe x 4 (1 x Half-Length PCIe card) | 9 RS232/422/485                 |
| 2 9-29V isolation DC-in                                    | 10 Mic in                       |
| 3 Giga LAN   | 11 Line in                      |
| 4 Giga LAN   | 12 Line out                     |
| 5 USB 3.0 x 2  | 13 LED                          |
| 6 USB 3.0 x 2  | 14 Reset                        |
| 7 HDMI   | 15 Power Button                 |
| 8 VGA  | 16 8 x Isolated DIDO (Optional) |
|  | 17 2.5" SSD Slot x 1            |