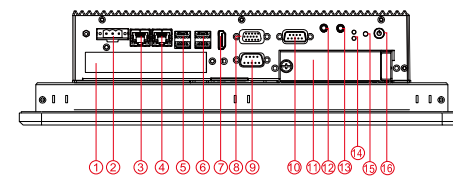
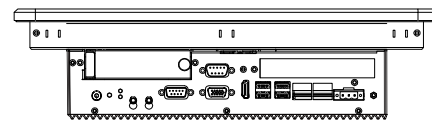
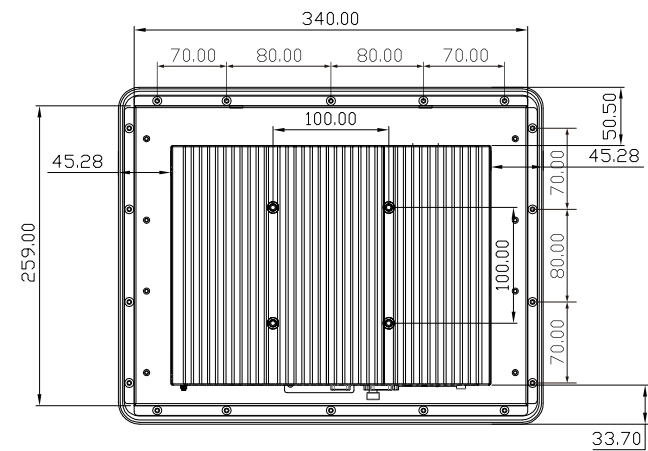
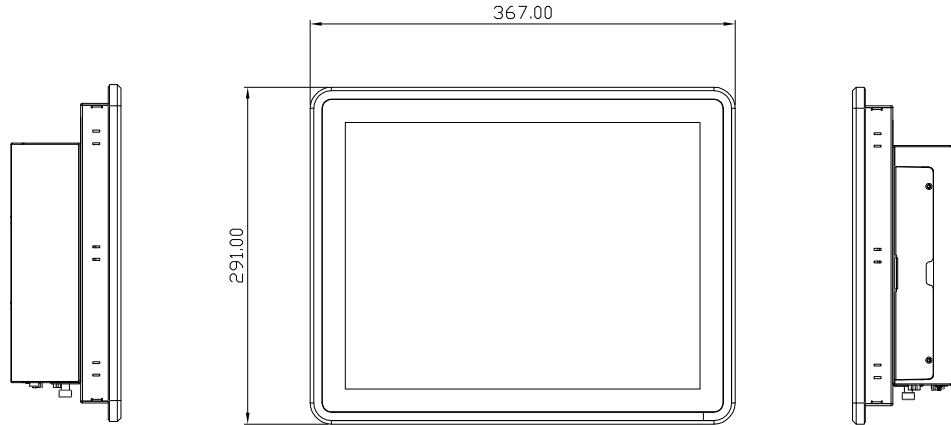
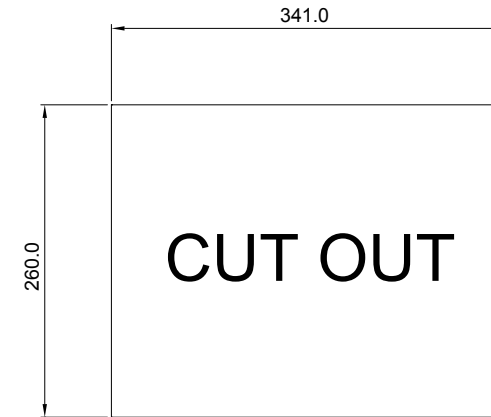
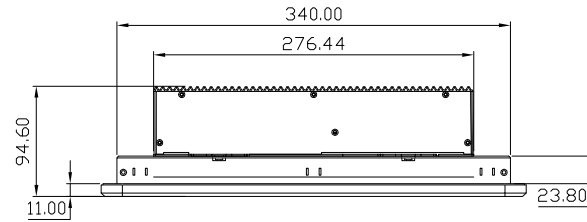


M-Series HMI  
 R15IKWS-MHC3  
 38,1 cm (15") 4:3



- |  |                      |
|--|----------------------|
| 1. PCIe Slot cover for PCIe x 4<br>(1 x Half-Length PCIe card) | 9. COM2              |
| 2. 12-24V isolation DC-in                                      | 10. COM1             |
| 3. LAN   | 11. 2.5" SSD Bay x 2 |
| 4. LAN   | 12. Audio out        |
| 5. USB 3.0 x 2   | 13. Audio in         |
| 6. USB 3.0 x 2   | 14. HDD indicators   |
| 7. HDMI output   | 15. Reset            |
| 8. VGA output  | 16. Power Button     |